

Thumbwheel Switches

Ordering Information

Small thumbwheel switch

| | | | | | | |
|----|---|---|---|---|---|---|
| AD | 1 | 0 | 5 | - | I | N |
| ① | ② | ③ | ④ | | ⑤ | ⑥ |

| ① Item | AD | Thumbwheel switch |
|-----------------|----|---|
| ② Mounting hole | 1 | Height 16.5mm |
| ③ Display range | 0 | 0 to 9 |
| | 1 | 0, 1 |
| | 2 | 0, 1, 2 |
| ④ Pattern type | 5 | Standard pattern |
| ⑤ Body color | I | Cream |
| | B | Black |
| ⑥ Display | N | Number(0 to 9) |
| | A | Alphabet(A, B, C, D, E, F, H, K, L, N) |
| | U | .01s, 0.1s, s, 0.1m, m, 0.1h, h, 10h, <u>S</u> , <u>M</u> |

※ Order as option for other display range.

Standard thumbwheel switch

| | | | | | | |
|----|---|---|---|---|---|---|
| AD | 6 | 0 | 4 | - | I | N |
| ① | ② | ③ | ④ | | ⑤ | ⑥ |

| ① Item | AD | Thumbwheel switch |
|-----------------|----|-------------------|
| ② Mounting hole | 6 | Height 22.5mm |
| ③ Display range | 0 | 0 to 9 |
| | 1 | 0, 1 |
| | 3 | 0 to 3 |
| | 7 | 0 to 7 |
| ④ Pattern type | 4 | Relay pattern |
| | 5 | Standard pattern |
| ⑤ Body color | I | Cream |
| | B | Black |
| ⑥ Display | N | Number(0 to 9) |

※ Order as option for other display range.

Specifications

| Model | AD1□5-□□ | AD6□4-□□ | AD6□5-□□ |
|-------------------------|--|-----------------------------------|------------------------------------|
| Appearance | | | |
| Operating force | Max. 500gf(4.9N) | | Max. 550gf(5.39N) |
| Switching load capacity | 5-28VDC, 1mA to 0.1A | | 5-28VDC, 50VAC 50/60Hz 1mA to 0.1A |
| Continuous current | Max. 100mA | | Max. 1A |
| Contact resistance | Max. 200mΩ | | |
| Insulation resistance | Between power off terminals | Min. 100MΩ(250VDC for 1 min.) | |
| | Between each terminal and power off section | Min. 100MΩ(500VDC for 1 min.) | |
| Dielectric strength | Between power off terminals | 250VAC 50/60Hz for 1 min. | 600VAC 50/60Hz for 1 min. |
| | Between each terminal and power off section | 500VAC 50/60Hz for 1 min. | 1000VAC 50/60Hz for 1 min. |
| Vibration | 0.75mm amplitude at frequency of 10 to 55Hz(for 1 min.) in each X, Y, Z direction for 1 hour | | |
| Shock | 500m/s ² (approx. 50G) in each X, Y, Z direction for 3 times | | |
| Life cycle | Electrical | Min. 20,000 operations | |
| | Mechanical | Min. 30,000 | |
| Environment | Ambient temperature | -10 to 50°C, storage: -20 to 80°C | |
| | Ambient humidity | 45 to 85%RH | |
| Weight | 1.3g | 4.2g | 3.8g |

※Environment resistance is rated at no freezing or condensation.

Thumbwheel Switches

Small thumbwheel switch



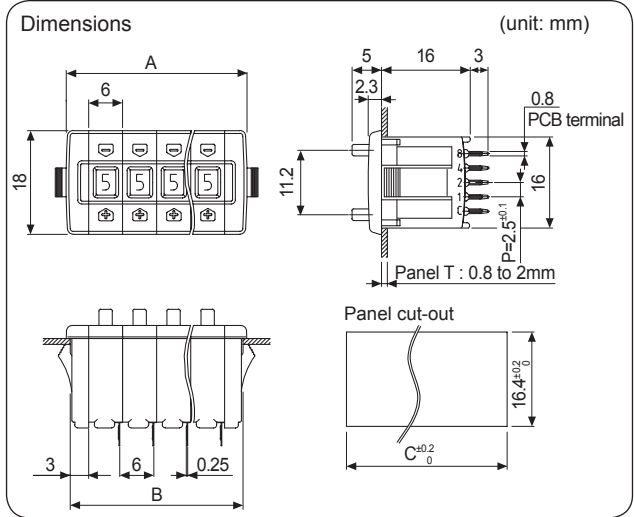
[Output code]

| Model | Terminal connected with COM(C) terminal | | | | COM | No. of switches (n) | Size A (n×6+8) | Size B (n×6+6) | Size C |
|-----------------------|---|---------|---|---|-----|---------------------|----------------|----------------|--------|
| | AD105-I | AD105-B | 1 | 2 | | | | | |
| Dial setting position | 0 | | | | ● | 1 | 14 | 12 | 12.5 |
| | 1 | ● | | | | 2 | 20 | 18 | 18.5 |
| | 2 | | ● | | | 3 | 26 | 24 | 24.5 |
| | 3 | ● | ● | | | 4 | 32 | 30 | 30.5 |
| | 4 | | | ● | | 5 | 38 | 36 | 36.5 |
| | 5 | ● | | ● | | 6 | 44 | 42 | 42.5 |
| | 6 | | ● | ● | | 7 | 50 | 48 | 48.5 |
| | 7 | ● | ● | ● | | 8 | 56 | 54 | 54.5 |
| | 8 | | | | ● | 9 | 62 | 60 | 60.5 |
| | 9 | ● | | | ● | 10 | 68 | 66 | 66.5 |

※ Above sizes are including both covers.

| | | |
|------------|----------|----------|
| Model | AD1□5-I□ | AD1□5-B□ |
| Body color | Cream | Black |

- Small, Space-saving design
- Excellent electrical life cycle over 30,000 operations



Standard thumbwheel switch



[Output code]

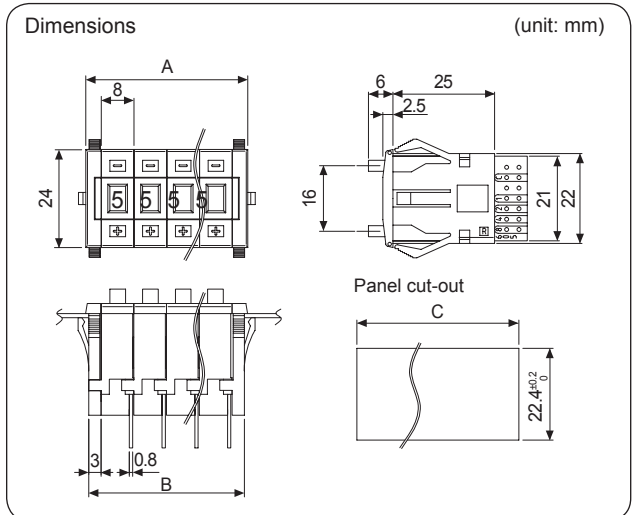
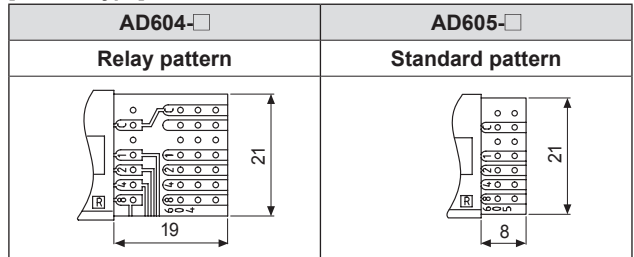
| Model | Terminal connected with COM(C) terminal | | | | COM | No. of switches (n) | Size A (n×8+8) | Size B (n×8+6) | Size C |
|-----------------------|---|---------|---------|---------|-----|---------------------|----------------|----------------|--------|
| | AD604-I | AD604-B | AD605-I | AD605-B | | | | | |
| Dial setting position | 0 | | | | ● | 1 | 16 | 14 | 14.5 |
| | 1 | ● | | | | 2 | 24 | 22 | 22.5 |
| | 2 | | ● | | | 3 | 32 | 30 | 30.5 |
| | 3 | ● | ● | | | 4 | 40 | 38 | 38.5 |
| | 4 | | | ● | | 5 | 48 | 46 | 46.5 |
| | 5 | ● | | ● | | 6 | 56 | 54 | 54.5 |
| | 6 | | ● | ● | | 7 | 64 | 62 | 62.5 |
| | 7 | ● | ● | ● | | 8 | 72 | 70 | 70.5 |
| | 8 | | | | ● | 9 | 80 | 78 | 78.5 |
| | 9 | ● | | | ● | 10 | 88 | 86 | 86.5 |

※ Above sizes are including both covers.

| | | |
|------------|----------|----------|
| Model | AD6□4-I□ | AD6□4-B□ |
| | AD6□5-I□ | AD6□4-B□ |
| Body color | Cream | Black |

- Easy installation as one-touch mounting type
- High visibility with wide display part

[Pattern type]



I/O Terminal Blocks

AFS(Interface Terminal Block)

AFJ/AFR(Interface Terminal Block)

ACS(Common Terminal Block)

AFE(Sensor Connector Terminal Block)

ABS(Relay Terminal Block)

ABL(Relay Terminal Block)

Power Relay

I/O Cables

MITSUBISHI

LSIS

Autonics

RS Automation

YOKOGAWA

FUJI

KDT

OMRON

TELEMECANIQUE

For SERVO

Open Type Cables

Cable Appearance

Remote I/O

ARD(DeviceNet Digital Standard Terminal Type)

ARD(DeviceNet Digital Sensor Connector Type)

ARD(DeviceNet Analog Standard Terminal Type)

ARM(Modbus Digital Sensor Connector Type)

Others

Sensor Connectors

Sockets

Sensor Distribution Boxes


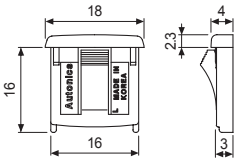

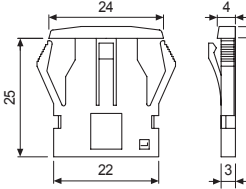
Valve Plugs

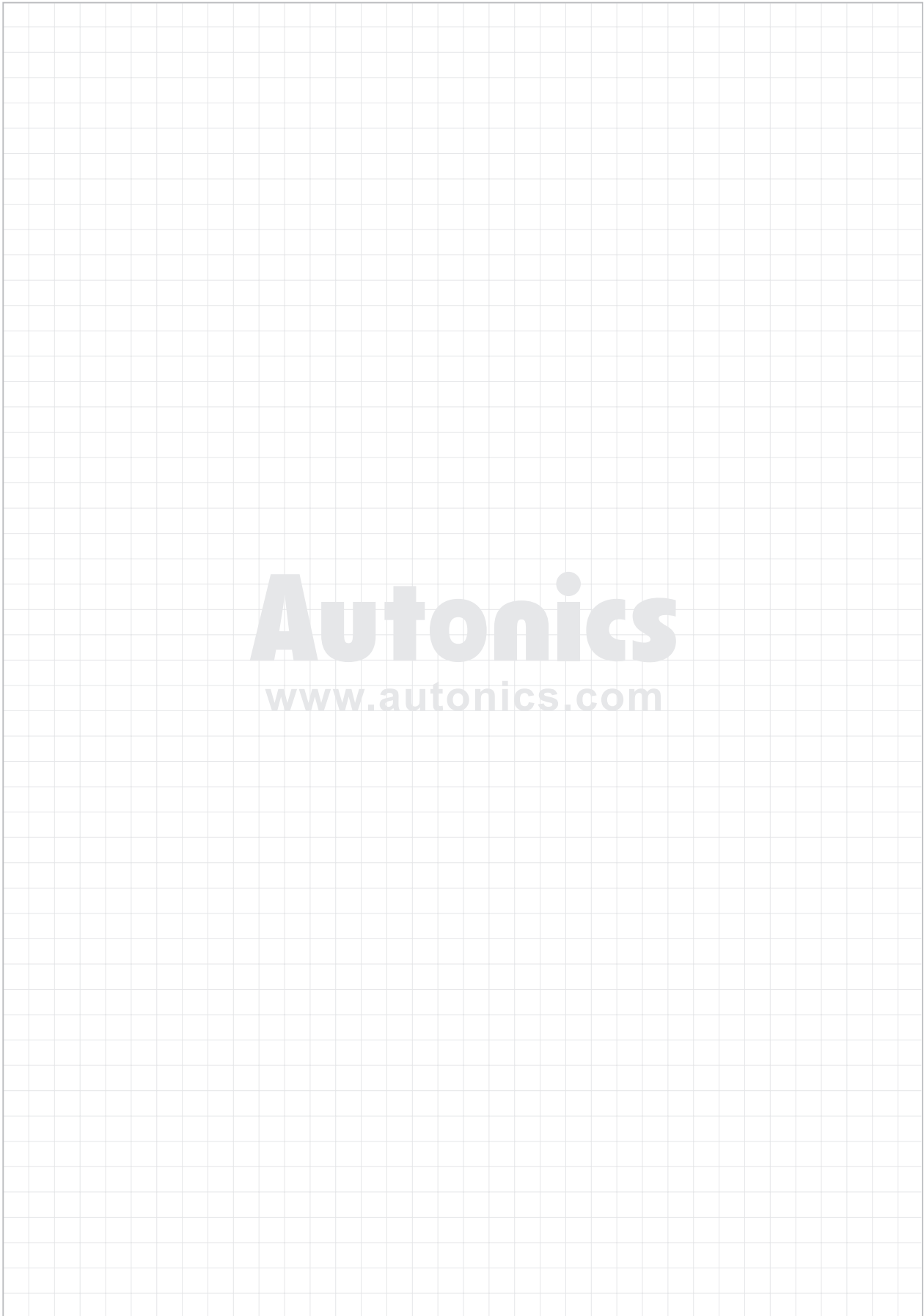
Thumbwheel Switches

Thumbwheel Switches

■ Accessories

(unit: mm)

| Item | Appearance | Model | Dimensions | Note |
|-------------------------|---|---|--|---|
| Thumbwheel switch cover |  | AD105-L□ (left cover) AD105-R□ (right cover) |  | The size of right cover and left cover is same. |
| |  | AD605-L□ (left cover) AD605-R□ (right cover) |  | |



I/O Terminal Blocks

- AFS(Interface Terminal Block)
- AFJ/AFR(Interface Terminal Block)
- ACS(Common Terminal Block)
- AFE(Sensor Connector Terminal Block)
- ABS(Relay Terminal Block)
- ABL(Relay Terminal Block)
- Power Relay

I/O Cables

- mitsubishi
- LSIS
- Autonics
- RS Automation
- YOKOGAWA
- FUJI
- KDT
- OMRON
- TELEMECANIQUE
- For SERVO
- Open Type Cables
- Cable Appearance

Remote I/O

- ARD(DeviceNet Digital Standard Terminal Type)
- ARD(DeviceNet Digital Sensor Connector Type)
- ARD(DeviceNet Analog Standard Terminal Type)
- ARM(Modbus Digital Sensor Connector Type)

Others

- Sensor Connectors
- Sockets
- Sensor Distribution Boxes
- Valve Plugs
- Thumbwheel Switches**

Autonics
www.autonics.com